

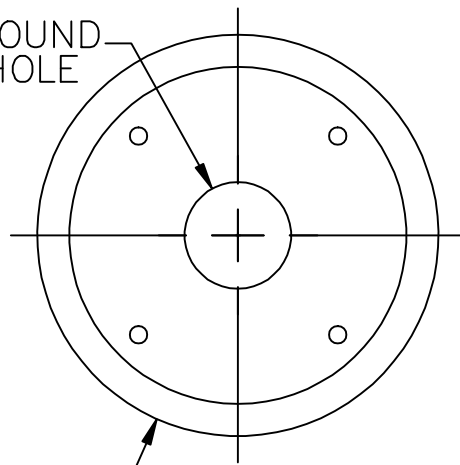
THIS DOCUMENT CONTAINS DATA PROPRIETARY TO PROJECTS UNLIMITED, INC. ANY USE OR REPRODUCTION, IN ANY FORM, WITHOUT PRIOR WRITTEN PERMISSION OF PROJECTS UNLIMITED, INC. IS PROHIBITED.
 ©2005, Projects Unlimited Inc.

SPECIFICATIONS

PARAMETERS	VALUES	UNITS
RATED VOLTAGE (SQUARE WAVE)	12	Vp-p
OPERATING VOLTAGE RANGE	1 ~ 30	Vp-p
COIL RESISTANCE	24±2	OHM
MINIMUM SPL @ 1 M	100	dBA
RESONANT FREQUENCY	2000±20%	Hz
FREQUENCY RANGE	300 ~ 8000	Hz
OPERATING TEMPERATURE	-40 ~ +85	°C
STORAGE TEMPERATURE	-50 ~ +95	°C
HOUSING MATERIAL	ALUMINUM	-
TERMINAL MATERIAL	Sn PLATED COPPER	-
WEIGHT	28	grams

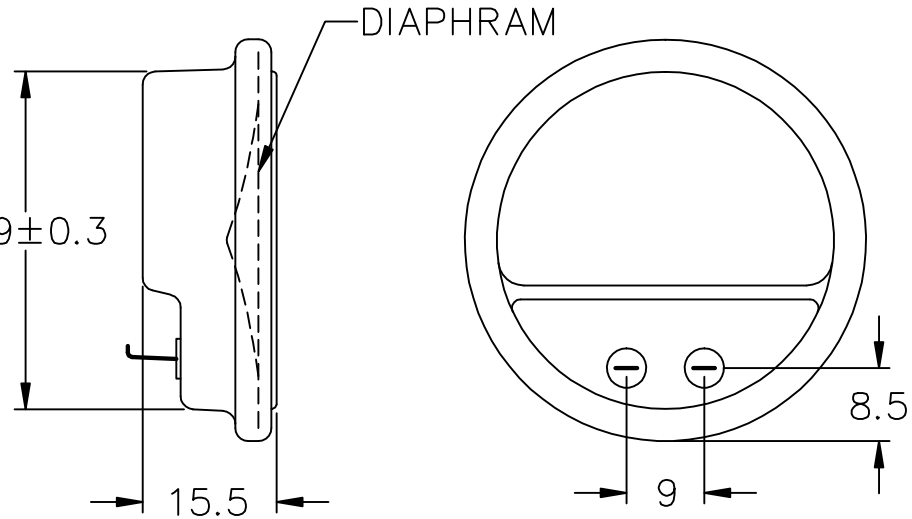
REVISIONS			
LTR	DESCRIPTION	DATE	APPROVED
-	RELEASED FROM ENGINEERING	8/17/06	
A	REVISED TERMINAL MAT., ADD DIAPHRAM	10/17/06	R.W.
B	DELETED INGRESS PROTECTION	1/26/07	B.R.
C	REVISED FREQUENCY SPECIFICATIONS	4/26/07	B.R.

∅12.4^{+0.07}₋₀ SOUND EMISSION HOLE



∅46.5±0.3

∅39±0.3



DIAPHRAM

8.5

9

UNLESS OTHERWISE SPECIFIED: DIMENSIONS ARE IN MILLIMETERS, TOLERANCES ARE ±0.5 AND ANGLES ARE ±3°.

APPROVALS	DATE
DRAWN J.D.	8/06
CHECKED R.W.	9/06
APPROVED B.R.	9/06



Dayton, Ohio

TRANSDUCER (ELECTRO-MECH)

SIZE A

DRAWING NO. AWT-4703-R

FILE NAME AWT-4703-R.DWG

DO NOT SCALE DRAWING

SCALE: N.T.S.

SHEET 1 OF 1

NOTES:

1. ALL DIMENSIONS ARE IN MILLIMETERS.
2. SPECIFICATION SUBJECT TO CHANGE OR WITHDRAWAL WITHOUT NOTICE.
3. THIS PART IS RoHS 2002/95/EC COMPLIANT.
4. MAX. OPERATING TEMPERATURE IS 260°C FOR 5 MINUTES.